



Home Embroidery Machine

PARTS REFERENCE LIST

MODEL: BP2100

V3

BP2150L

V3SE

CONFIDENTIAL

©2012 Brother Industries, Ltd.
All rights reserved.

Published: Oct.,2012
Revised: Dec.,2017

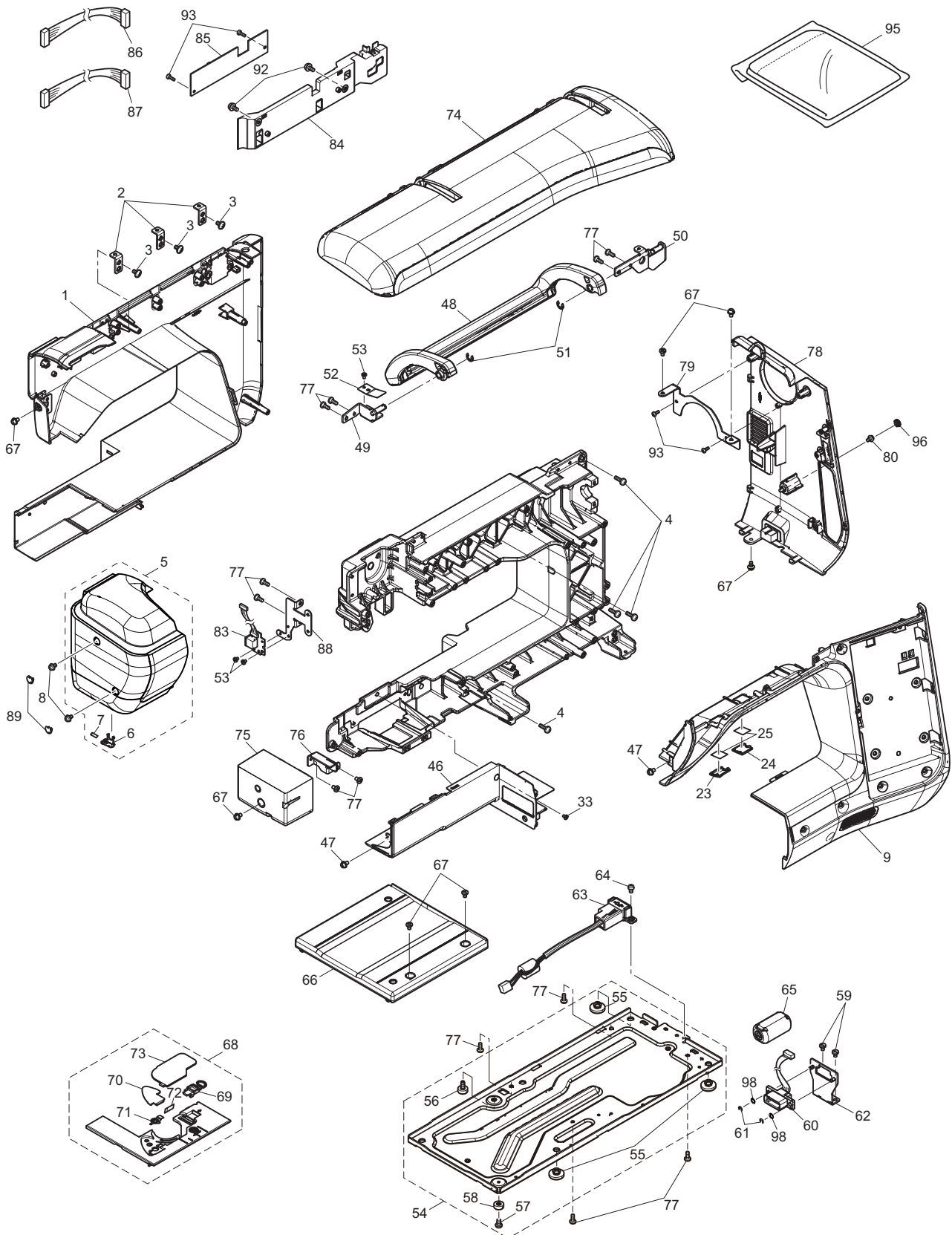
CONTENTS

(1) MAIN FRAME / COVER	2
(2) UPPER SHAFT / NEEDLE BAR / PRESSER FOOT UNIT ...	6
(3) FEED / THREAD CUTTING UNIT	8
(4) LOWER SHAFT / BOBBIN WINDING MECHANISM.....	10
(5) NEEDLE THREADING MECHANISM	12
(6) ELECTRIC PARTS / MAIN MOTOR UNIT	14
(7) EMBROIDERY UNIT	16
(8) ACCESSORY PARTS	18
(9) USER MANUAL / OTHER PARTS / PACKAGE	20
NEEDLE-PRESSER MODULE.....	22
FEED MODULE	26
THREAD CUTTER MODULE	28
SPARE PARTS.....	30

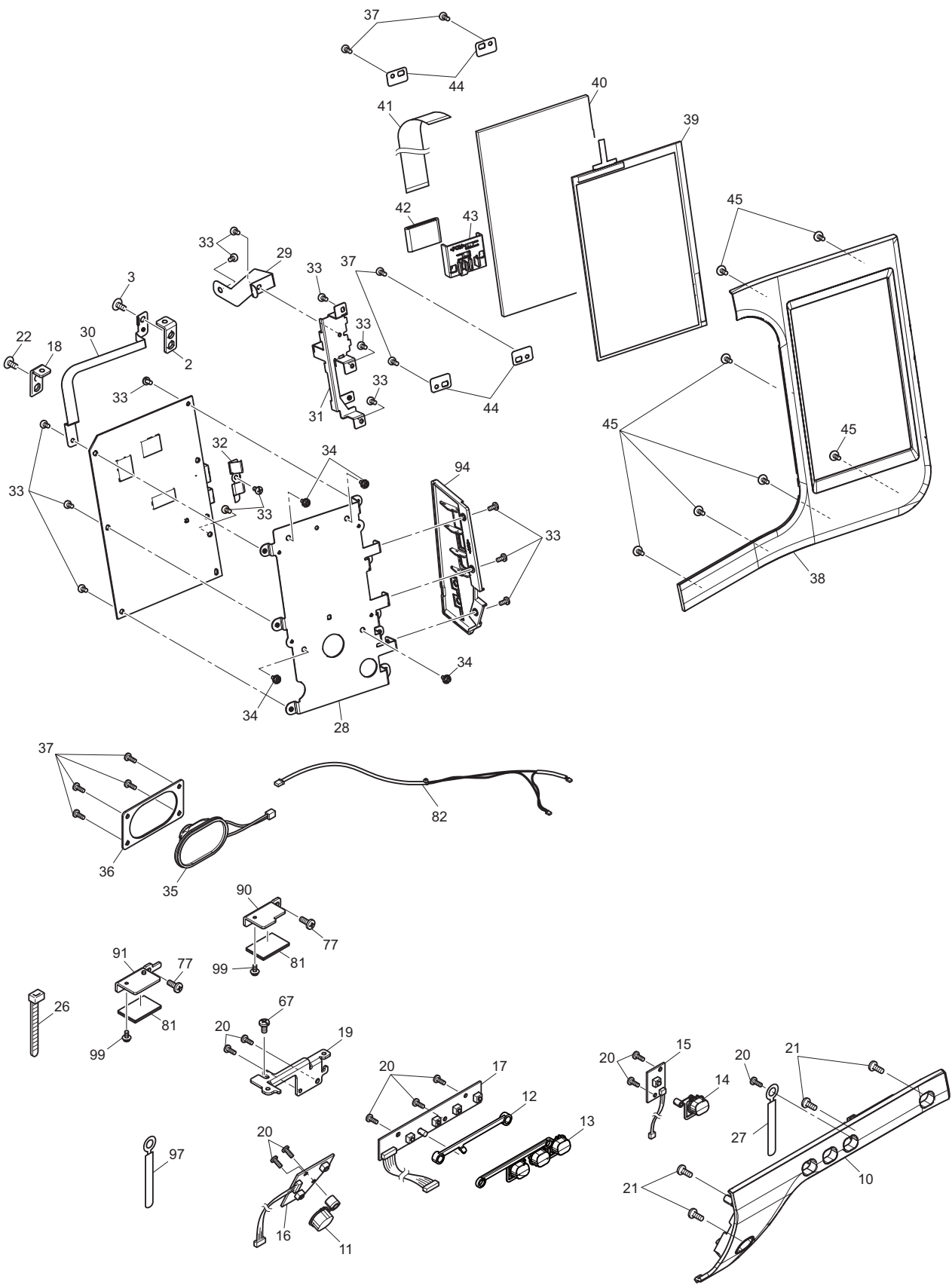
Note on parts:

We keep performance parts for this sewing machine for at least 8 years after this model is discontinued. Performance parts are the necessary parts to maintain the function of the sewing machine.

(1) MAIN FRAME / COVER



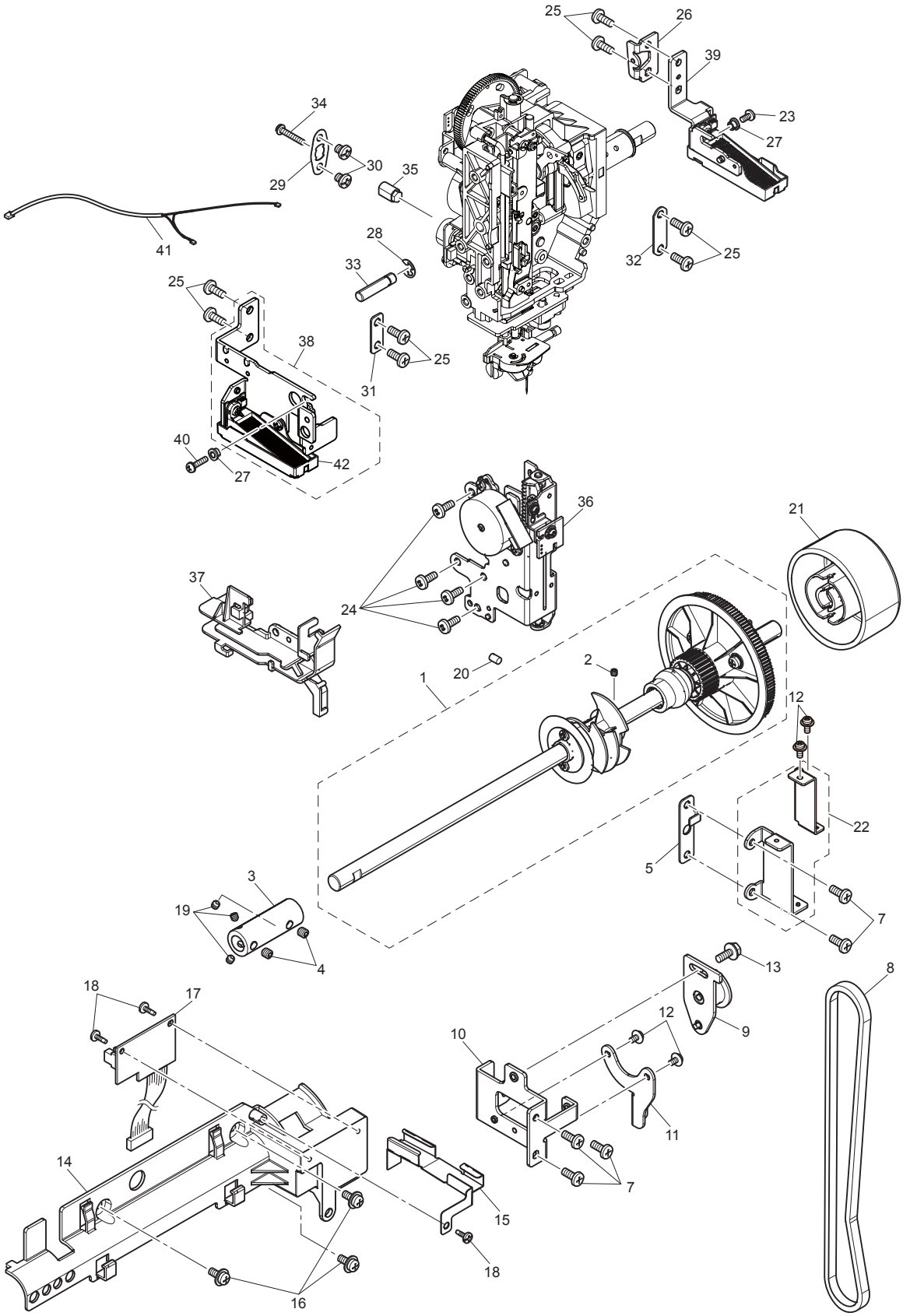
(1) MAIN FRAME / COVER



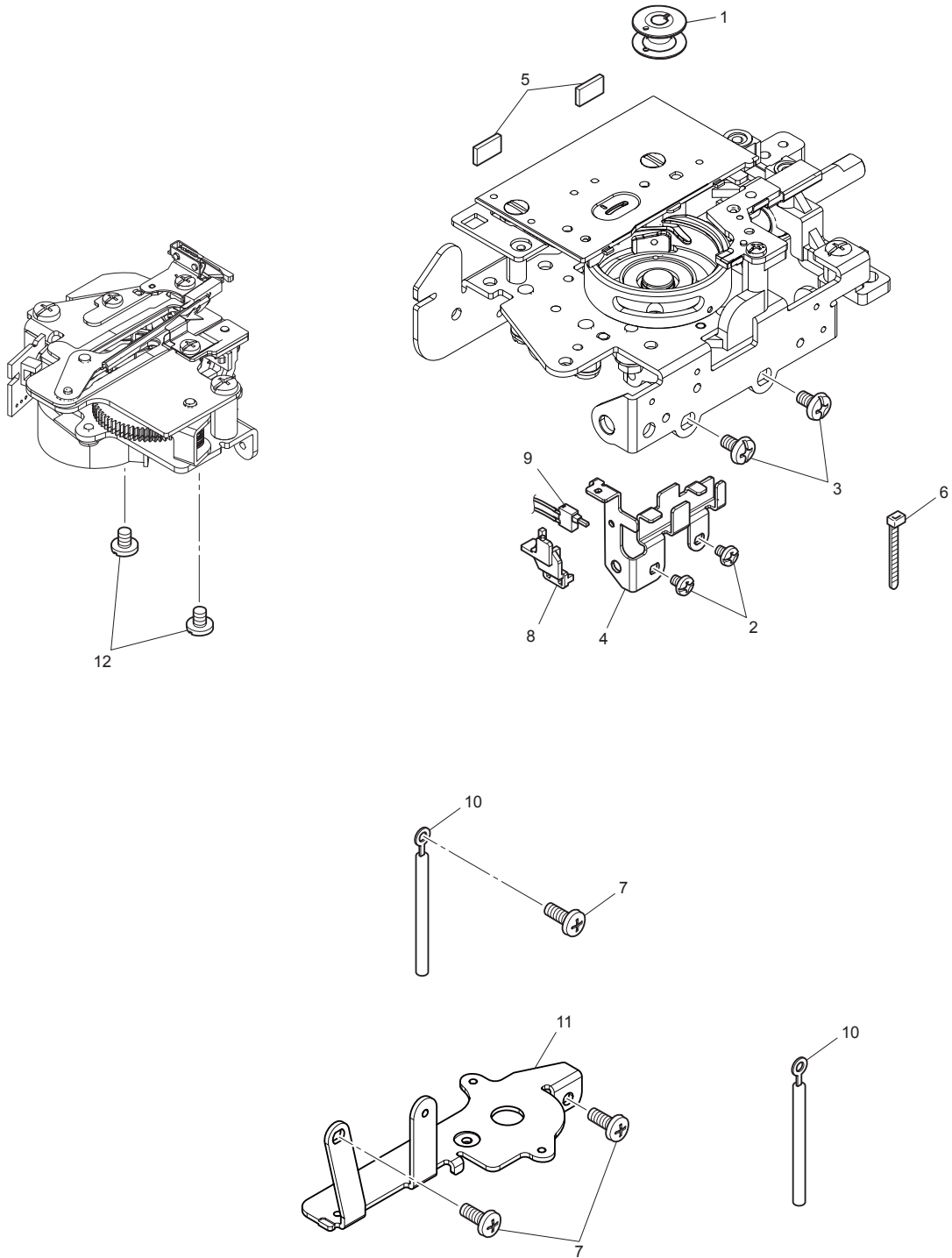
(1) MAIN FRAME / COVER

No.	CODE	NAME	REMARKS	No.	CODE	NAME	REMARKS
1	XF2908001	REAR COVER ASSY		41	XF4441001	FLEXIBLE FLAT CABLE:SML2SC-40	
2	XE3917001	PLATE E		42	XE9920001	FERRITE CORE:FSRC310200RN000T	
3	087410816	TAPTITE CUP B M4X8		43	XE9963001	FERRITE HOLDER WIDE	
4	087411416	TAPTITE CUP B M4X14		44	XC7850051	LCD PRESSER B	
5	XF4562001	FACE PLATE ASSY		45	087310816	TAPTITE CUP B M3X8	
6	XE4631101	FACE PLATE CUTTER HOLDER	1000044131	46	XF2938201	FREE ARM FRONT COVER ASSY	1000034652
7	X80321001	NT LOWER THREAD CUTTER		47	XC4433051	SCREW,PAN(T WASHER)M3X6	
8	XC7566051	SCREW, PAN(S/P WASHER)M4X8		48	XF2943001	HANDLE ASSY	
9	XF3062001	FRONT COVER		49	XE3949001	HANDLE HOLDER L ASSY	
10	XF3071001	FRONT KEY COVER EMB		50	XF3685001	HANDLE HOLDER R ASSY	
11	XF2920001	SS-BUTTON		51	048060343	RETAINING RING E6	1000038911
12	XF4123001	LED COVER		52	XE3953001	HANDLE HOLDER SPRING PLATE	
13	XF4901001	OPERATION BUTTON		53	060300416	SCREW BIND M3X4	
14	XF4895001	THREADER BUTTON		54	XF2948001	BASE PLATE SUB ASSY	
15	XF3571001	THREADER SWITCH PCB ASSY		55	XA1805051	BASE RUBBER A	
16	XF2753001	SS PCB ASSY B		56	XA4687051	ADJUSTING SCREW ASSY	
17	XF3297001	OPERATION PCB ASSY		57	062500816	SCREW PAN M5X8	
18	XE3917001	PLATE E		58	XA4689051	BASE PLATE RUBBER	
19	XF2926001	FRONT TG COVER FIXED PLATE		59	060400616	SCREW BIND M4X6	
20	136681051	TAPTITE, BIND B M3X8		60	XF3282001	LEAD WIRE ASSY MAIN BODY V	
21	087310816	TAPTITE CUP B M3X8		61	048025343	RETAINING RING E2.5	1000044949
22	087410816	TAPTITE CUP B M4X8		62	XC1158001	CONNECTOR HOLDER ASSY	1000044949
23	XF2927001	LAMP COVER L		63	XH1105001	INRET ASSY V/XV 120 (120V)	1000058399
24	XF3676001	LAMP COVER R			XF3287001	INLET ASSY V 230 (230V)	
25	XE3916001	DIFFUSION SHEET WORK AREA		64	0A4400806	SCREW PAN (S/P WASHER) M4X8	
26	X53169050	BAND		65	XE7045001	FERRITE CORE:LF0930A	
27	137947001	CLIP		66	XF2956001	BASE PLATE COVER	
28	XF2929001	PANEL BOARD HOLDER		67	060400616	SCREW BIND M4X6	
29	XF2976001	PANEL BOARD GROUND PLATE D		68	XE5050201	NEEDLE PLATE B ASSY	
30	XF2977001	PANEL BOARD GROUND PLATE U		69	XC2366152	SLIDE BUTTON	
31	XF2975001	GROUND PLATE USB HOLDER		70	XD1666052	CUTTER COVER	
32	XF2979001	GROUND PLATE USB		71	XD1461051	NEEDLE PLATE COVER SPRING	
33	060300616	SCREW BIND M3X6		72	X80321001	NT LOWER THREAD CUTTER	
34	XA8390051	SCREW	1000051555	73	XE8992101	NEEDLE PLATE COVER ASSY	
35	XF2782001	SPEAKER ASSY		74	XF4566002	TOP COVER UNIT ASSY	1000036708
36	XF2934001	SPEAKER HOLDER		75	XF2968001	FREE ARM COVER	
37	136681051	TAPTITE, BIND B M3X8	1000039638	76	XF2969001	FREE ARM PLATE	
38	XF4870001	LCD FRAME PRINTED (BP2100)		77	X57908052	TAPTITE,BIND S M4X10	
	XF4871001	LCD FRAME PRINTED (V3)		78	XF2937001	MATERIAL OF BELT COVER	
	XG9061001	LCD FRAME PRINTED (BP2150L, BP2150LCL)		79	XF2978001	BELT COVER PLATE	
	XG9624001	LCD FRAME PRINTED (V3SE)		80	0A4401006	SCREW PAN (S/P WASHER) M4X10	
39	XG2559001	TOUCH PANEL:T010-1303-T360	1000051617	81	XF4817001	LED PCB SUPPLY ASSY:WORK AREA	
40	XF4854001	LCD SUPPLY ASSY		82	XF2811001	LEAD WIRE ASSY LED1	
				83	XF2850001	EXTENSION IF PCB ASSY	

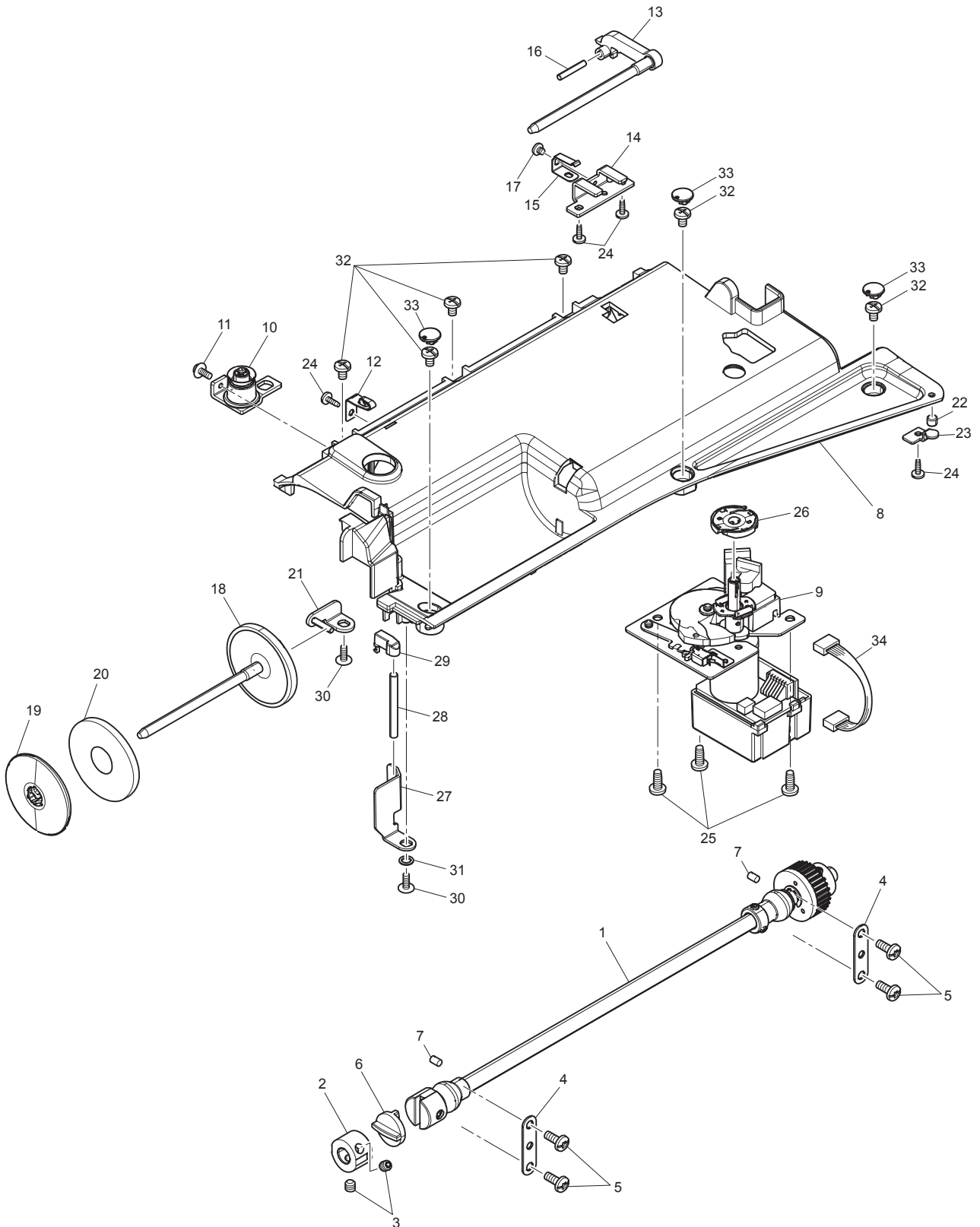
(2) UPPER SHAFT / NEEDLE BAR / PRESSER FOOT UNIT



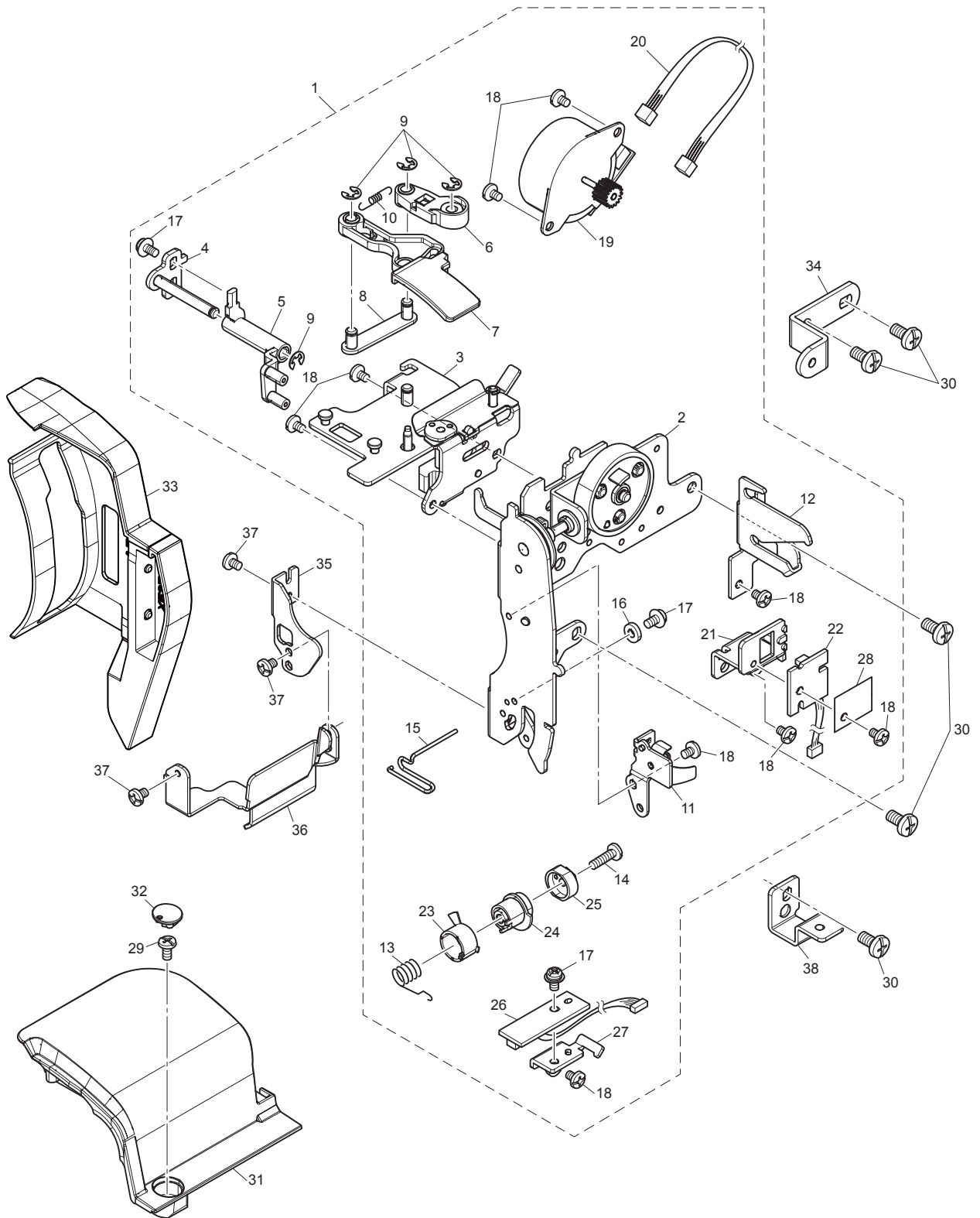
(3) FEED / THREAD CUTTING UNIT



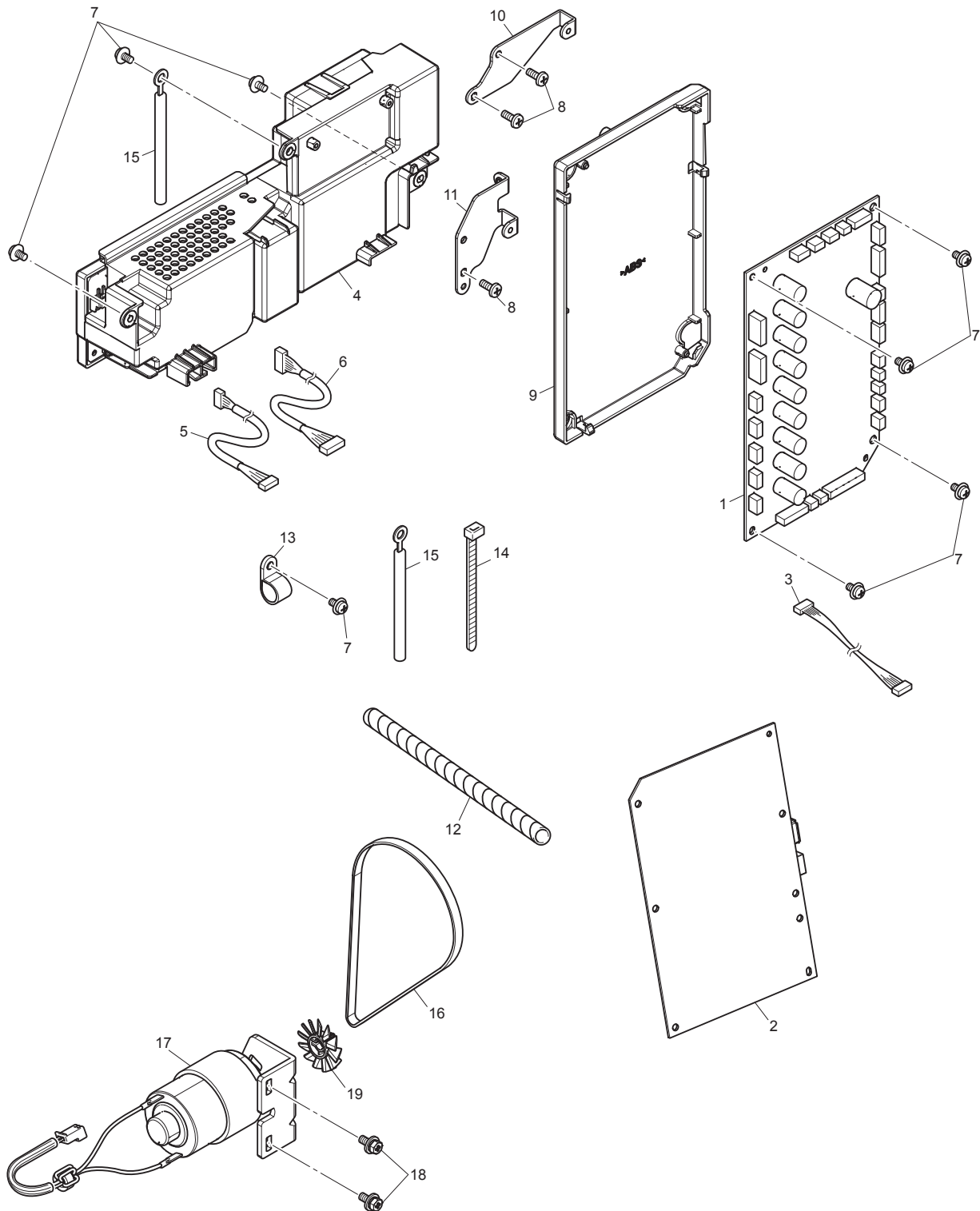
(4) LOWER SHAFT / BOBBIN WINDING MECHANISM



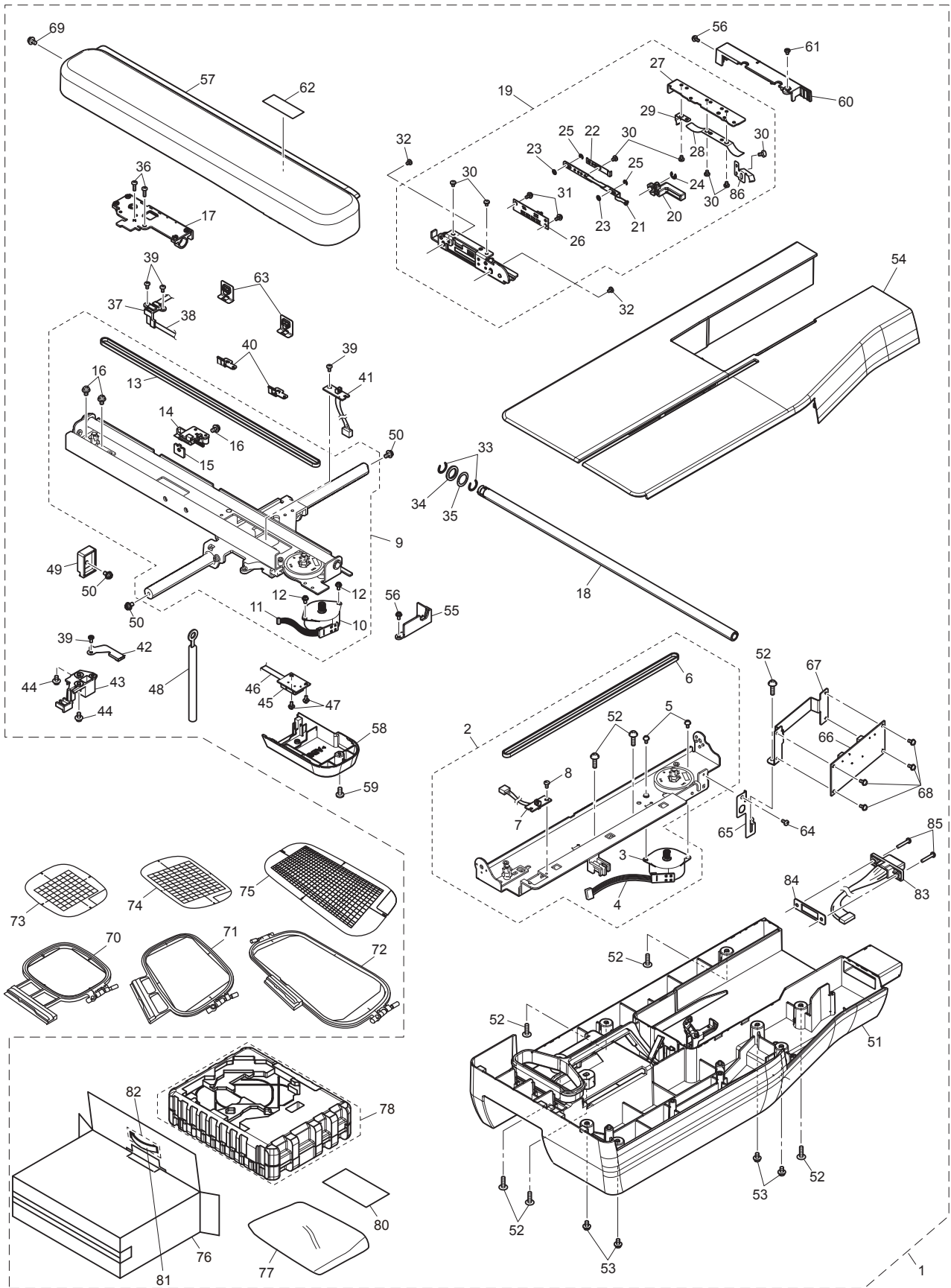
(5) NEEDLE THREADING MECHANISM



(6) ELECTRIC PARTS / MAIN MOTOR UNIT



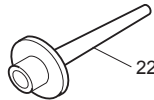
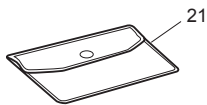
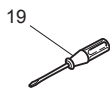
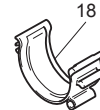
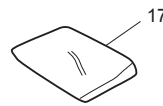
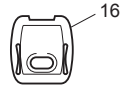
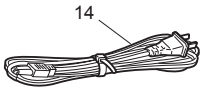
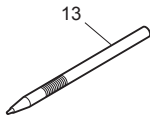
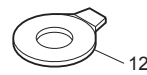
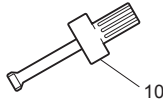
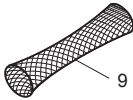
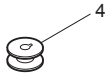
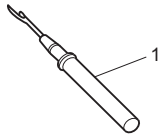
(7) EMBROIDERY UNIT



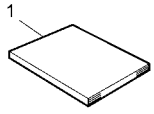
(7) EMBROIDERY UNIT

No.	CODE	NAME	REMARKS	No.	CODE	NAME	REMARKS
1	XG3104001	EMBROIDERY UNIT SUPPLY FOR V	1000051961	46	XF2780001	FLEXIBLE FLAT CABLE:SML2CD-7	
2	XF3111001	MAIN FRAME ASSY		47	XA8390051	SCREW	
3	XC8298051	ASSY: XY PULSE MOTOR		48	137947001	CLIP	
4	XF3574001	XPM LEAD WIRE ASSY		49	XC8088051	X BELT PRESSER	
5	XA8390051	SCREW		50	XC7566051	SCREW, PAN(S/P WASHER)M4X8	
6	XE3749001	TIMING BELT 40S2M594		51	XF3239001	ES BASE COVER UNIT	
7	XF2849001	X INIT PCB ASSY		52	087411416	TAPTITE CUP B M4X14	
8	060300616	SCREW BIND M3X6		53	XC7566051	SCREW, PAN(S/P WASHER)M4X8	
9	XE3777001	X CARRIAGE UNIT		54	XF3245001	ES MAIN COVER ASSY	
10	XC8298051	ASSY: XY PULSE MOTOR		55	XC8112251	XC SUB COVER	
11	XE4424001	LEAD WIRE ASSY YPM X1		56	XA8390051	SCREW	
12	XA8390051	SCREW		57	XF3249001	X CARRIAGE COVER	
13	XC8059051	TIMING BELT 40S2M740		58	XF3251001	YPM COVER	
14	XC8061051	Y SLIDER		59	085301017	TAPTITE BIND P M3X10	
15	XC8062051	YT BELT PRESSER PLATE		60	XC8089151	E HOOP STAY COVER	
16	XC7566051	SCREW, PAN(S/P WASHER)M4X8		61	060300416	SCREW BIND M3X4	
17	XC8065251	Y CARRIAGE ASSY		62	XC8666051	LOCK LEVER SEAL	
18	XC8068051	Y GUIDE SHAFT		63	XE3795001	HOLE COVER	
19	XF3236001	E HOOP STAY PLATE ASSY		64	060300616	SCREW BIND M3X6	
20	XE3768001	E HOOP LOCK LEVER		65	XF4216001	EMB GROUND PLATE	
21	XE3759001	LOCK SW PLATE SUB ASSY		66	XF2740001	EMB RELAY PCB ASSY	
22	XE3766001	HOOP LOCK SW PUSH PLATE		67	XF2912001	RELAY PCB HOLDER	
23	XE3758001	POLYESTER SLIDER		68	XC7564051	SCREW PAN(S/P WASHER)M3X6	
24	048040343	RETAINING RING E4	1000038911	69	0A6400806	SCREW PAN(T WASHER)M4X8	
25	048025343	RETAINING RING E2.5	1000038911	70	XC8132051	EMBROIDERY HOOP ASSY 100D6 (EXCEPT HKG, BP2100: USA&MEX)	
26	XF2741001	FRAME SENSOR PCB ASSY		71	XC8137151	EMBROIDERY HOOP ASSY 130D6 (BP2100, BP2150L, BP2150LCL)	1000051571
27	XE3756001	E HOOP PRESSURE PLATE		72	XC8142051	EMBROIDERY HOOP ASSY 180D6	
28	XC8077051	E HOOP PRESSURE SPRING A		73	XC8357051	EMBROIDERY SHEET 100D6 ASSY (EXCEPT HKG, BP2100: USA&MEX)	
29	XG0436001	E HOOP PRESSURE SPRING C	1000042955	74	XC8359051	EMBROIDERY SHEET 130D6 ASSY (BP2100, BP2150L, BP2150LCL)	
30	060300416	SCREW BIND M3X4		75	XC8147151	EMBROIDERY SHEET 180D6 ASSY	1000052020
31	XA8390051	SCREW		76	XF3253001	MATERIAL OF E UNIT CARTON D	
32	060400616	SCREW BIND M4X6		77	X60678051	BAG 700X630H	
33	XC8080051	STOP RING 10.69		78	XG5234001	EMBROIDERY UNIT SF ASSY	1000053383
34	XC8081051	WASHER		79	XF3255001	EMBROIDERY UNIT SF D	1000053383
35	XC8082050	WASHER, SPRING 12		80	XF3256001	EMBROIDERY UNIT PAD	
36	085301017	TAPTITE BIND P M3X10		81	XC9628051	HANDLE	
37	XC8084050	FFC SUPPORT		82	XC8890050	HANDLE PLATE	
38	XF3318001	FLEXIBLE FLAT CABLE:SML2CD-6		83	XF3284001	LEAD WIRE ASSY EMB UNIT V	ADD
39	060300616	SCREW BIND M3X6		84	XF3244001	EM CONNECTOR HOLDER	ADD
40	XC8085050	CORD CLIP		85	XZ0380051	SCREW,PAN(WASHER)M3X18	ADD
41	XE4401001	Y INIT PCB ASSY		86	XE3757101	E HOOP LOCK LEVER SPRING	
42	XC8086050	CODE GRIP					
43	XC8087151	X SLIDER					
44	XC7566051	SCREW, PAN(S/P WASHER)M4X8					
45	XE3779001	Y RELAY PCB ASSY					

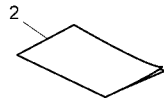
(8) ACCESSORY PARTS



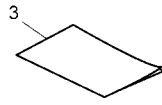
(9) USER MANUAL / OTHER PARTS / PACKAGE



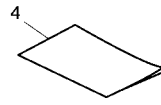
(INSTRUCTION BOOK)



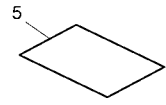
(QUICK REFERENCE GUIDE)



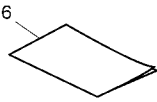
(WARRANTY CARD)



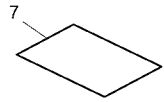
(REGISTRATION SHEET)



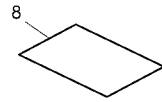
(EMBROIDERY FRAME INSTRUCTION)



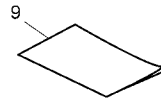
(EMBROIDERY THREAD CATALOG)



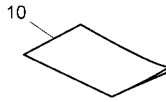
(INTEL INSERTION)



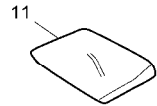
(INSERTION WEEE)



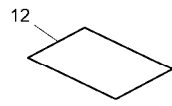
(ACCESSORY LEAFLET)



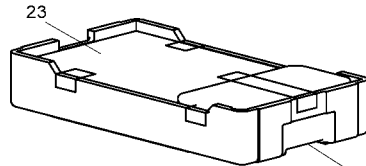
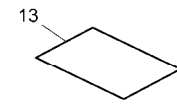
(ADDENDUM)



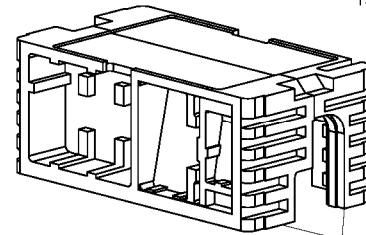
(UKRAINIAN ROHS INSERTION)



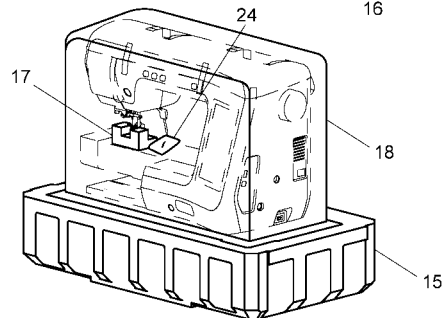
(INSERTION CHINA)



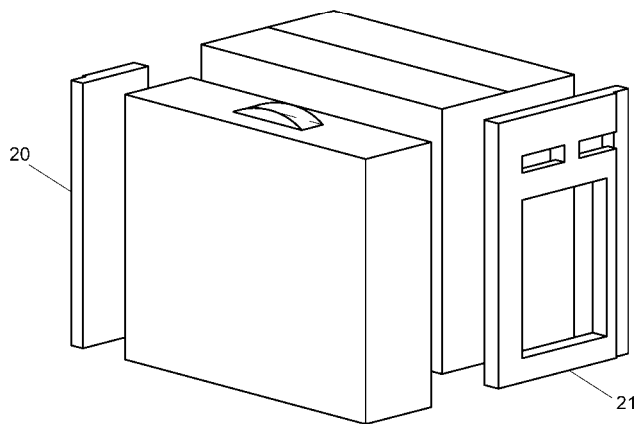
19



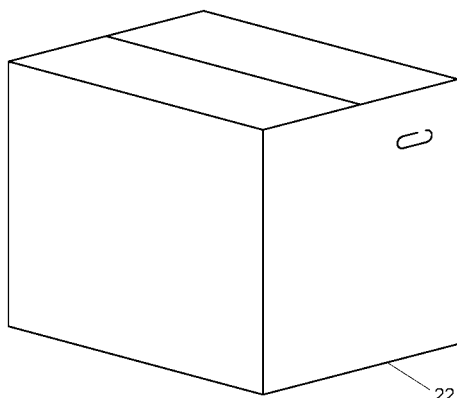
16



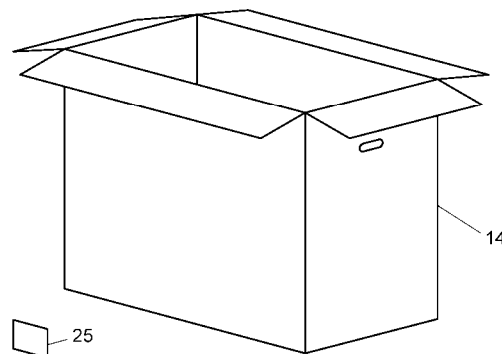
15



21



22

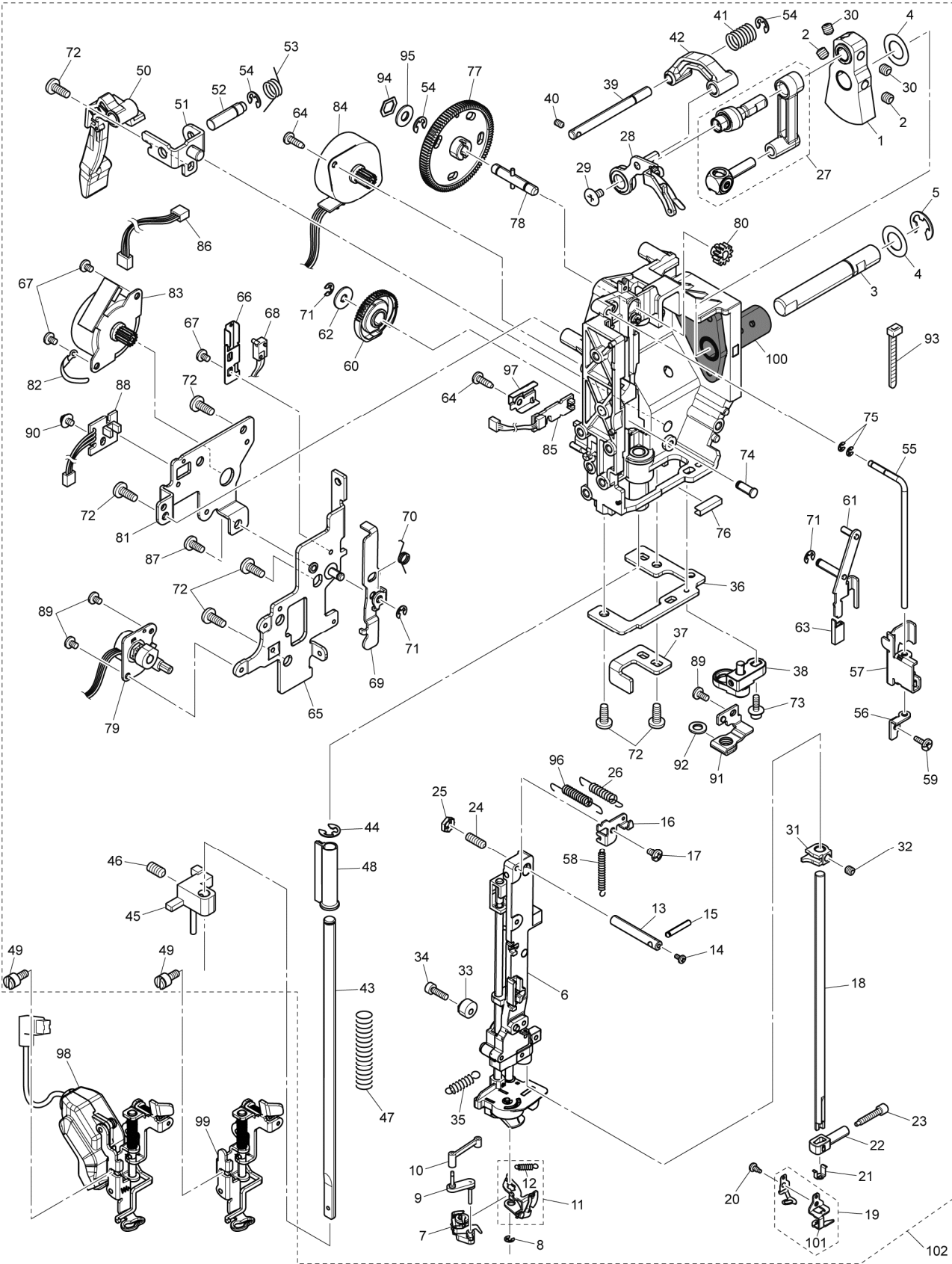


14



25

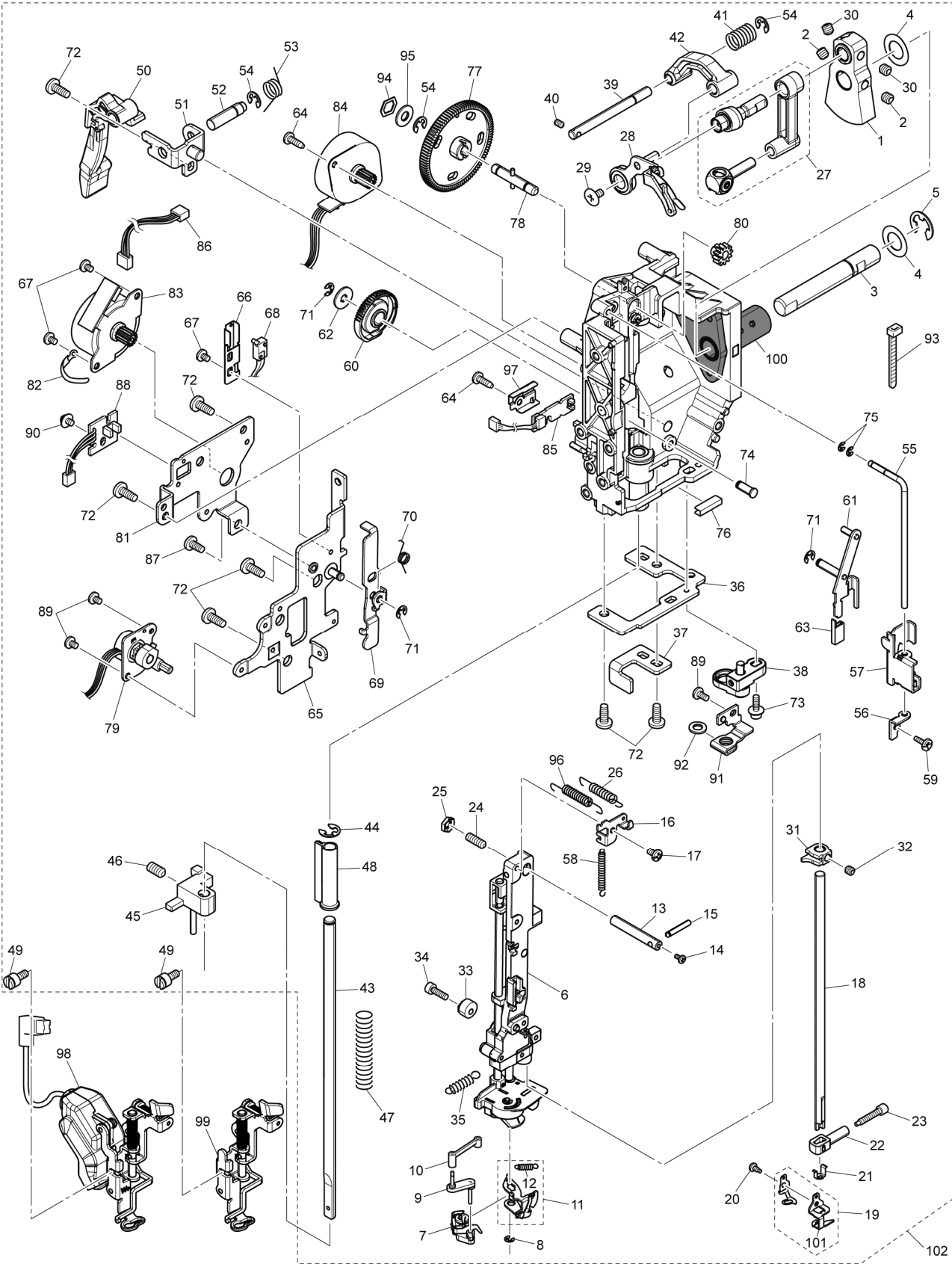
NEEDLE-PRESSER MODULE



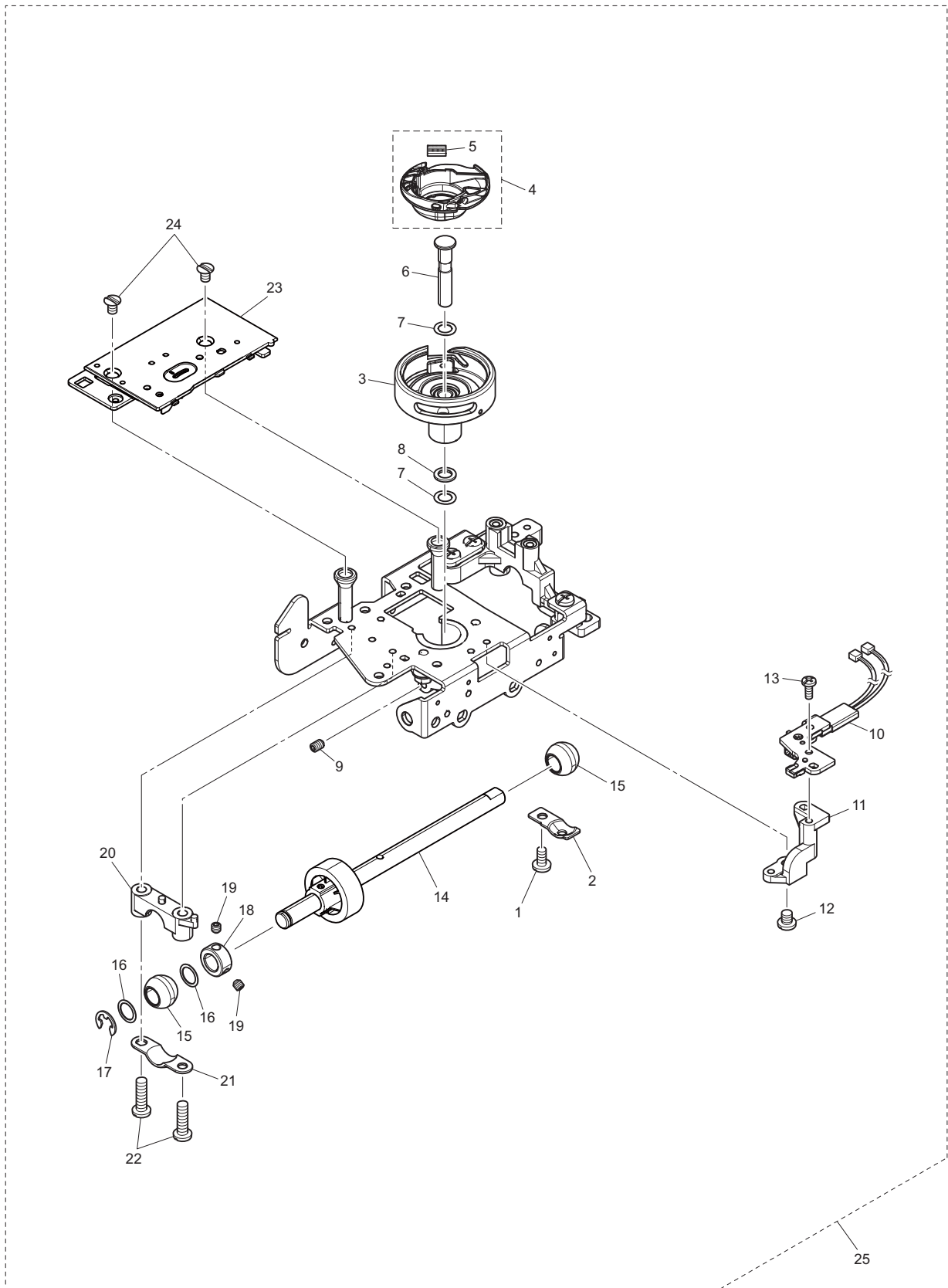
NEEDLE-PRESSER MODULE

No.	CODE	NAME	REMARKS	No.	CODE	NAME	REMARKS
1	XC7784051	THREAD TAKE-UP COUNTER WEIGHT		45	XE4033001	PRESSER BAR CLAMP ASSY	
2	012500532	SET SCREW SOCKET (FT) M5X5		46	014501032	SET SCREW SOCKET (CP) M5X10	
3	XC7785051	UNIT SHAFT		47	XC7810051	SPRING	
4	131976050	WASHER, THRUST		48	XC7811150	PRESSER FOOT RACK	
5	048080343	RETAINING RING E8	1000038911	49	XA5904051	SCREW	
6	XF4573001	NEEDLE BAR SUPPORTER ASSY		50	XF3025001	LIFT LEVER	
7	XD1549351	THREADER HOOK ASSY		51	XE4036001	LIFT LEVER HOLDER ASSY	
8	048025343	RETAINING RING E2.5	1000038911	52	XE4039001	PRESSER LIFT LEVER SHAFT	
9	XD1546051	LINK A ASSY		53	XE4040001	SPRING, TORSION	
10	XD1548151	LINK B		54	048040343	RETAINING RING E4	1000038911
11	XC9613151	THREAD GUIDE ASSY		55	XE4041001	LEVER GUIDE SHAFT	
12	XC9616051	SPRING		56	XE4022001	LEVER SUPPORTER PLATE	
13	XC2419021	SHAFT		57	XF3026001	LEVER AB	
14	000020416	SCREW BIND M2X4		58	XC7816051	SPRING	
15	XC2420050	SHAFT		59	136681051	TAPTITE, BIND B M3X8	
16	XD1488051	PLATE		60	XE4047001	Z ZIGZAG RELEASE CAM	
17	060300516	SCREW BIND M3X5		61	XE4048001	Z ZIGZAG LEVER SUB ASSY	
18	XE4028001	NEEDLE BAR		62	XD0751051	WASHER	
19	XH2503001	N/B THREAD GUIDE SUPPLY ASSY		63	XC2480020	Z LEVER CUP	
20	X53053052	SCREW SM2.38		64	X59629051	TAPTITE, BIND B M3X10	
21	XC2426020	NEEDLE THREAD PLATE		65	XE4052201	ADJUSTING PLATE ASSY	
22	XC2427051	NEEDLE BLOCK		66	XC2641051	PRESSER SWITCH HOLDER	
23	XZ0388251	NEEDLE CLAMP SCREW		67	060300416	SCREW BIND M3X4	
24	014401232	SET SCREW SOCKET (CP) M4X12		68	XE4512001	PF SWITCH ASSY	
25	X56851051	LOCK NUT		69	XE4054001	TENSION RELEASE SWITCH LEVER	
26	XC2429021	SPRING		70	XC9435051	SPRING	
27	XF5071001	NEEDLE BAR CRANK R SUPPLY ASSY		71	048030343	RETAINING RING E3	1000038911
28	XE4029201	THREAD TAKE-UP LEVER ASSY	1000042237	72	085411015	TAPTITE BIND B M4X10	
29	132051052	SCREW, FLAT SM3.57-40X7 L		73	XC3037051	SCREW3X10	
30	012500532	SET SCREW SOCKET (FT) M5X5		74	XE4055001	Z CAM SHAFT	
31	XC2434021	NEEDLE THREAD BLOCK		75	048020343	RETAINING RING E2	1000038911
32	012400432	SET SCREW SOCKET (FT) M4X4		76	XC3034020	THREAD GUIDE PLATE	
33	XC2435050	ZIGZAG ADJUSTING NUT		77	XC7827151	PRESSER DIAL	
34	018301032	BOLT SOCKET M3X10		78	XC8372151	PRESSER DIAL SHAFT ASSY	
35	XC2748021	SPRING-Z		79	XE4057001	PT HOLDER ASSEMBLY	
36	XF3020001	NEEDLE HOLDER BLOCK BASE		80	XC7830050	PRESSER DIAL GEAR	
37	XF3034001	PRESSER BAR SUPPORT PLATE		81	XE4059001	PRESSER PM HOLDER	
38	XF3035001	NEEDLE HOLDER BLOCK ASSY		82	137947001	CLIP	
39	XC8374051	SHAFT		83	XE5681001	PFPM INSULATION ASSY	
40	014300532	SET SCREW SOCKET (CP) M3X5		84	XE4375001	PULSE MOTOR: Z SMW35-4807-A	
41	XC2441021	SPRING		85	XE4406001	Z INIT PCB ASSY	
42	XC2443020	THREAD TAKE-UP LEVER LINK		86	XE4419001	LEAD WIRE ASSY PFPM	
43	XF3021001	PRESSER BAR		87	060400516	SCREW BIND M4X5	
44	048050343	RETAINING RING E5	1000038911	88	XE4407001	PF INIT PCB ASSY	

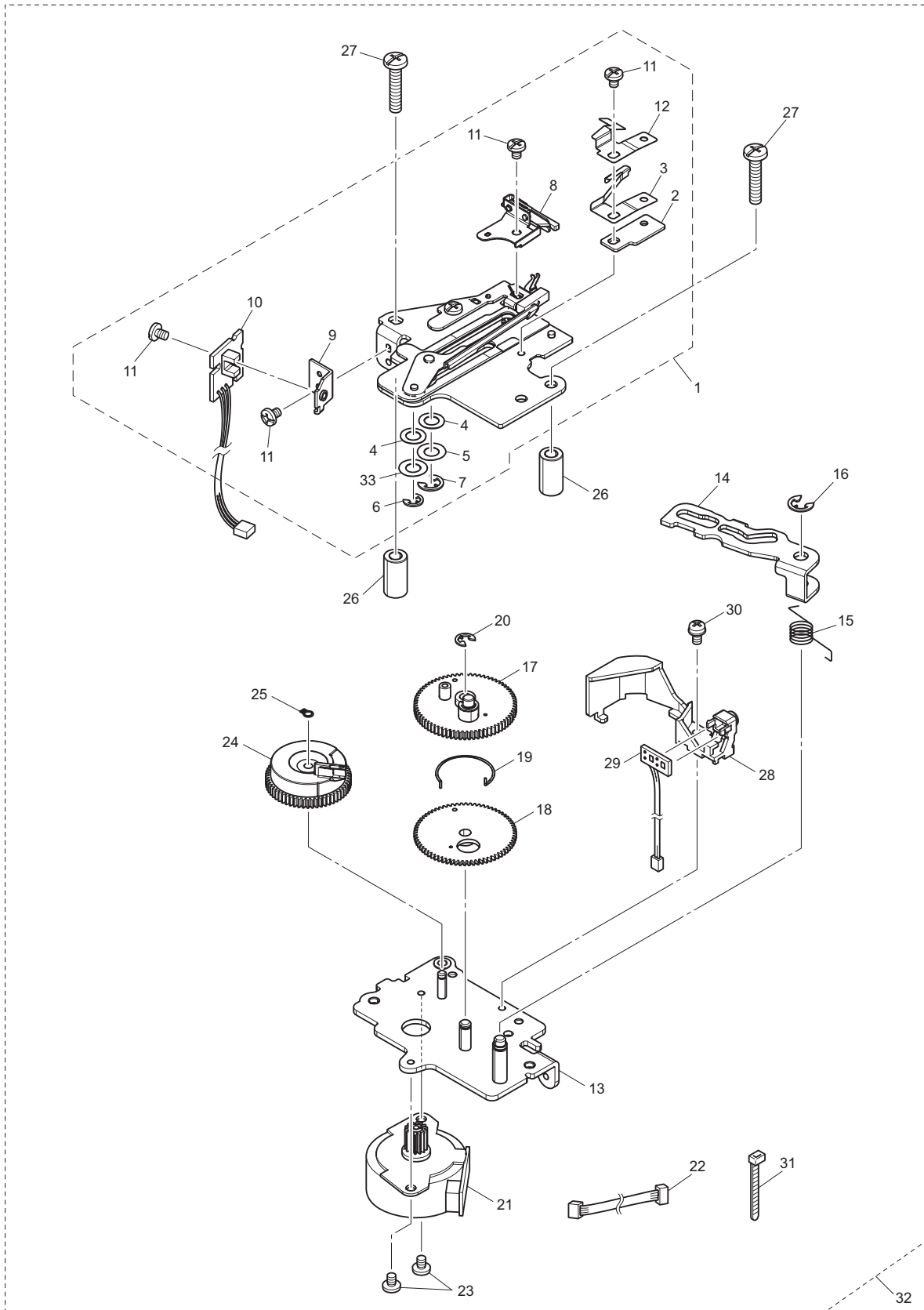
NEEDLE-PRESSER MODULE



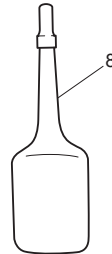
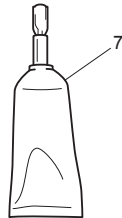
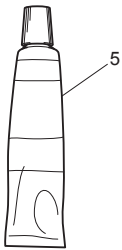
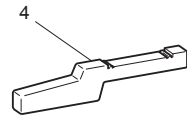
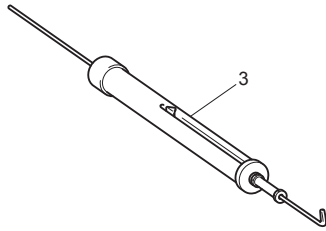
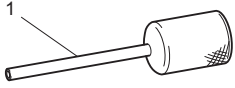
FEED MODULE



THREAD CUTTER MODULE



SPARE PARTS



brother

16D12HF882D82